

Infinity®

Outrigger

**OUTDOOR
SPEAKERS**

OWNER'S MANUAL

UNPACKING

1. Carefully unpack the speakers. If you suspect damage from transit, report it immediately to your dealer and/or delivery service. Keep the shipping carton and packing materials for future use.

2. Verify that the package includes the following items:
- (2) Outrigger Speakers
 - (2) Mounting Brackets
 - (2) Paint Masks
 - (1) Owner's Manual

PLACEMENT

Although Outrigger Outdoor Speakers are weather-resistant, they are not weatherproof. We recommend placing or mounting them in a protected location, such as under the eaves of a roof or on a porch.

For the best stereo effect, separate your Outrigger speakers by at least seven to ten feet. Use the built-in pedestal for placement on a table or other surface (see Figure 1). Experiment with different placement to find the most pleasing effect for your system. Placing your speakers near a wall or other surface will increase bass output.

For vertical or horizontal mounting on a wall, use the enclosed mounting bracket and hardware (see Figures 2 and 3). Locate a stud for secure mounting. Use heavy-duty screws with long threads (not included) so there is an adequate number of threads holding the speaker/bracket to the wall. Test the mounting thoroughly before final installation. Rotate the logo (on the grille) to match the mounting position.

NOTE: After determining placement position, you may wish to paint each speaker (see next section).

OUTRIGGER (Front View)

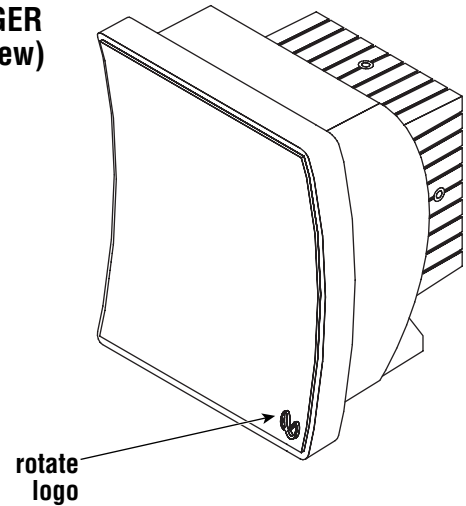


FIGURE 1. Use the built-in pedestal for placement of an Outrigger speaker on a table or other surface. Note logo orientation.

OUTRIGGER (Rear View)

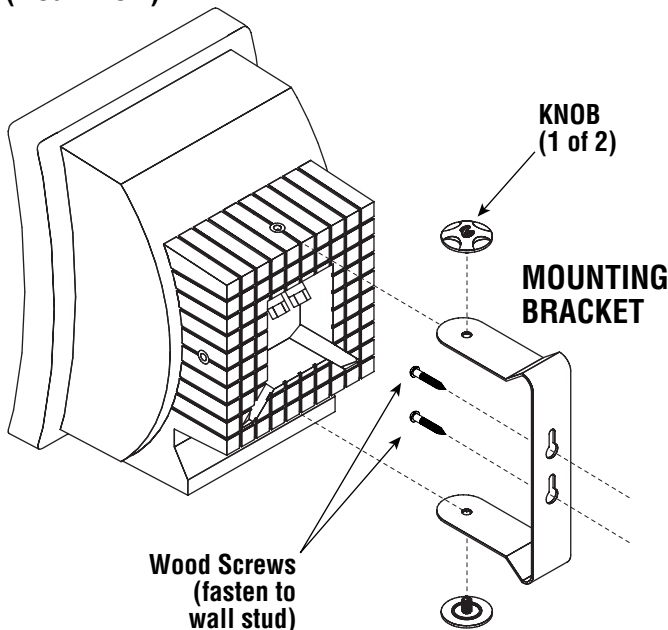


FIGURE 2. Vertical wall mounting of an Outrigger speaker. If desired, tilt the speaker left or right before tightening knobs.

OUTRIGGER (Rear View)

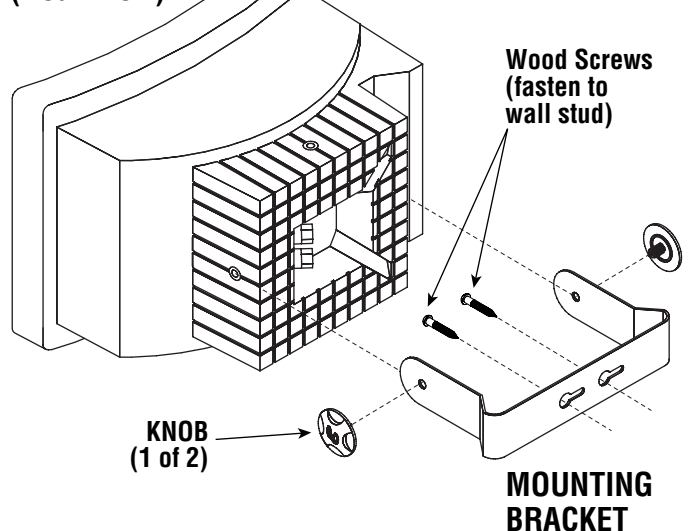


FIGURE 3. Horizontal wall mounting of an Outrigger speaker. If desired, tilt the speaker up or down before tightening knobs.

PAINTING GUIDE (OPTIONAL)

Outrigger speakers have a white finish that blends with most walls and decor; however, they can be painted to match other finishes if desired.

REQUIRED TOOLS AND PARTS

- A fast-drying spray-can primer paint, such as Krylon Sandable Spray Primer #1318
- Oil- or water-based house paint, or spray paint (be sure to use appropriate exterior house paint for outdoor installations)
- Masking tape
- A clean, dry cloth
- Pliers and paper clip (optional if you want to paint the grille)

PAINTING THE SPEAKERS

1. Remove the brackets (and the grilles, if you intend to paint them; see Painting the Grilles). Place paint masks over the speakers before painting the frames.
2. Apply two thin primer coats to the speaker cabinets and knobs. (The brackets do not require a primer coat.)
3. After the primer is completely dry, paint the cabinets, brackets and knobs. Be sure not to paint the red and black connection terminals or the plastic area behind the grilles.

PAINTING THE GRILLES

Remove and paint the grilles before inserting them onto the frames.

1. Using a paper clip bent into a “hook” shape, insert it into a grille near the corner, and pull the grille away from the cabinet.
2. Apply two thin coats of paint (primer is not required). Be careful not to let the paint clog the holes in the grilles.
3. After the paint is thoroughly dry, reinsert each grille by placing it in the cabinet and letting it “snap” into place.

WIRING THE SYSTEM

After placing the Outrigger speakers, you are ready to wire them. First turn off all audio system power. Use high-quality speaker wire (#16 gauge or heavier) to make your connections. Use weather-proof wire for outdoor installations. Consult the owner's manuals that were included with your amplifier or receiver to confirm connection procedures.

Strip the ends of the speaker wires about $\frac{3}{8}$ ". Twist the wire strands together for terminal insertion. Observe polarities when making speaker connections, as shown in Figure 4. Outrigger speakers have screw-down terminals for easy wiring. Open the terminal shell by turning it counterclockwise to expose the

opening in the post. Insert a wire from each + terminal on the back of the amplifier or receiver to the respective + (red) terminal on each Outrigger speaker. Turn the terminal shell clockwise until it secures the connection. Similarly, connect the - (black) terminal in the same way.

If desired, you can use banana plugs (available at your local electronics store) to make these connections.

IMPORTANT! Do not reverse polarities (i.e., + to - or - to +) when making connections. Doing so will cause poor imaging and diminished bass response.

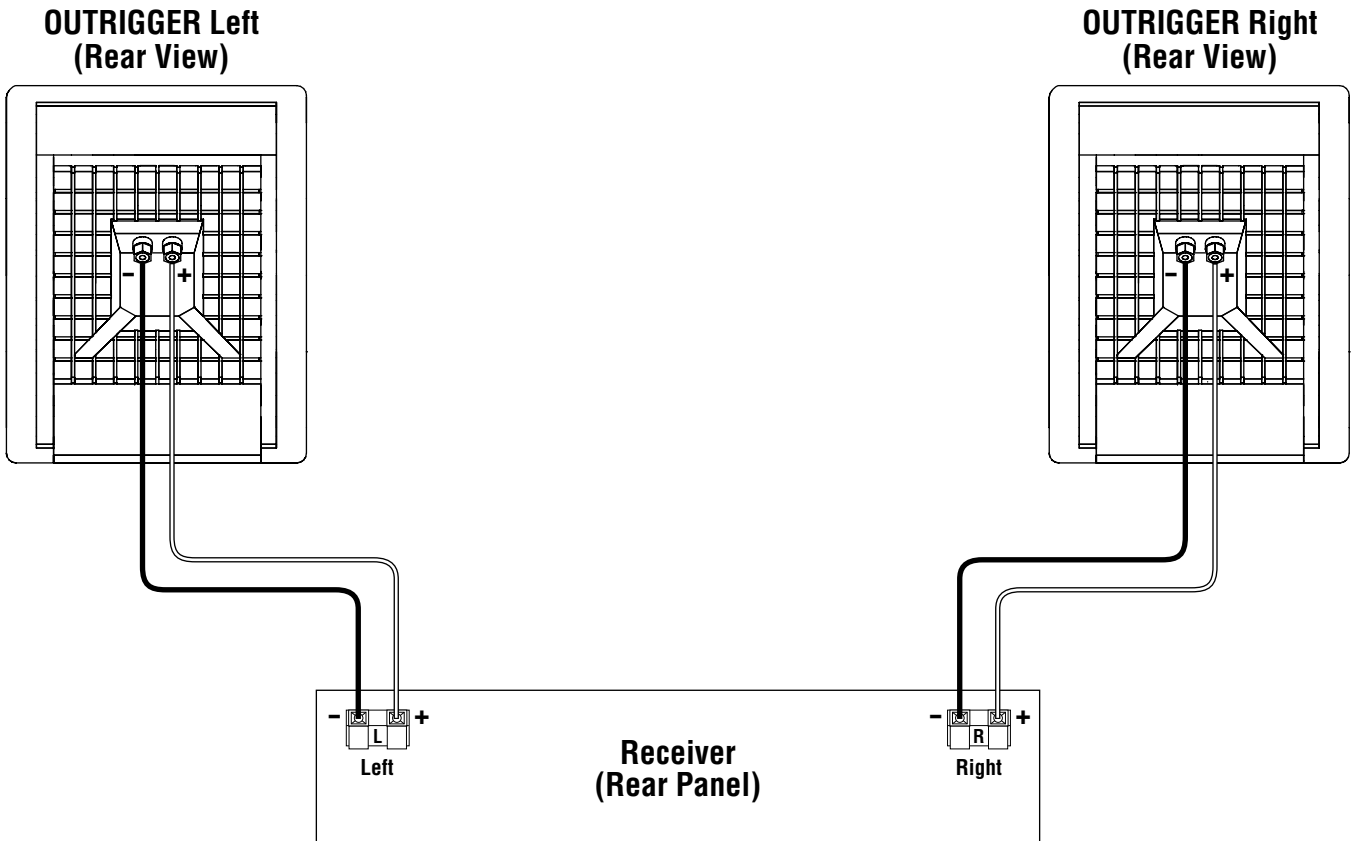


FIGURE 4. An example of how to connect Outrigger speakers to a stereo receiver.

UNDERSTANDING POWER RATINGS

An A/V (audio/video) receiver with limited power output can actually cause damage to your speakers. When played beyond its power capability, it will go into clipping. This generates spurious high-frequency signals which, when routed to the tweeter, can cause it to overheat and fail.

Overdriving the power amplifier must be avoided. It is always a good idea to choose a receiver with more power than you need. (Refer to power ratings in *Specifications* on the next page.)

IN CASE OF TROUBLE

Before consulting your dealer, Infinity service facility or factory service department, you can perform simple troubleshooting. If the sound quality is distorted, listen to each speaker separately to check if the fault is present in both. If it is, then the trouble is likely to be elsewhere in your system. If the fault is in one channel only, switch the left and right speaker leads at the receiver. If the distortion moves to the other speaker, the fault is not in the speaker.

If there is no authorized service facility near you, write or phone the Service Department, Infinity Customer Service, 20630 Nordhoff Street, Chatsworth, CA 91311, (818) 407-0228, and describe the problem as specifically as possible. The service department will advise you what action to take.

Note: Do not ship any parts or whole speakers for service without prior approval ("Return Authorization"), and do not ship without enclosing a copy of your original bill of sale and a description of the problem.

SPECIFICATIONS

Outrigger Speakers

Frequency Response.....60 Hz ~ 20 kHz
Crossover Frequency3.2 kHz
Sensitivity.....88 dB @ 2.8 V, 1 meter
Nominal Impedance..... compatible with 8 ohms
Power Rating.....10 ~ 80 watts (rms)

Drivers5¼" polypropylene cone w/ rubber surround woofer
1" Polycell™ dome tweeter
Cabinet Finish.....white
Cabinet Dimensions*8" wide x 10" high x 7" deep
20.3 cm wide x 25.4 cm high x 17.8 cm deep
* Not including bracket

LIMITED WARRANTY

WHO IS PROTECTED BY THE WARRANTY?

Your Infinity warranty protects the original retail purchaser and all subsequent owners for a period of five (5) years (parts and labor) from any failure as a result of original manufacturing defect so long as: (1) your Infinity loudspeaker was purchased within the fifty United States or by military personnel from an authorized military outlet and (2) the original dated bill of sale is presented whenever service is required during the warranty period. This warranty does not apply to products purchased elsewhere; other purchasers should contact their local Infinity distributor for warranty information.

WHAT DOES THE INFINITY WARRANTY COVER?

Except as specified below, this warranty covers all defects in original materials and workmanship. The following are not covered: damage caused by accident, misuse, abuse, neglect, product modification; damage occurring during shipment; damage caused by failure to follow instructions in the owner's manual, including failure to perform recommended periodic or routine maintenance; damage resulting from repairs by someone not authorized by Infinity; claims based upon any misrepresentations by the seller; and any Infinity product on which the serial number has been altered, defaced, or removed.

WHO PAYS FOR WHAT?

During the period of the warranty, subject to the above conditions, Infinity will pay all of the labor and material expenses to repair a warrantable defect.

HOW CAN WARRANTY SERVICE BE OBTAINED?

In the event that your Infinity loudspeaker should require service, you should first contact the Infinity dealer from whom the product was purchased or, if this is not practical, contact Infinity directly (ATTN: Customer Service) at 20630 Nordhoff Street, Chatsworth, CA 91311 (818) 407-0228.

We may direct you to an authorized service center for Infinity products or ask you to send them to us for repair. In either case, you will have to present your original bill-of-sale to establish warranty coverage. Do not send your speaker to us without prior authorization from our Customer Service Department.

You are responsible for transporting your product to either Infinity or an authorized service center and for payment of all shipping charges; however, Infinity will pay the return shipping charges (in the event you return the product to us) if the repairs are covered by warranty.

If you experience difficulty in transporting you product or are in need of packing materials, please advise us and we may be able to suggest alternative procedures and/or provide adequate packing materials.

LIMITATION OF IMPLIED WARRANTIES:

All implied warranties, including fitness for a particular purpose and merchantability are limited in duration and length to the warranty period for your product.

LIMITATION OF INCIDENTAL OR CONSEQUENTIAL DAMAGES:

Infinity is not responsible for any incidental or consequential damage of any kind. Our liability is limited to the repair or replacement, at our option, of a defective product.

Some states do not allow limitations on how an implied warranty lasts and/or do not allow the exclusion of incidental or consequential damage, so the above limitations or exclusions may not apply to you.

This warranty gives you specific legal rights and you may also have other rights which vary from state-to-state.

NOTE: In the event that there is a difference between this warranty and the provisions in any advertisements, product brochures or packaging cartons, the terms of this warranty will prevail.



© 1995, Infinity Systems, Inc., 20630 Nordhoff St., Chatsworth, CA 91311 U.S.A.
(818) 407-0228 • FAX (818) 709-9486

Infinity constantly strives to update and improve existing products, as well as create new ones, therefore the specifications and construction details in this and related Infinity publications are subject to change without notice.